



**Blue Carbon**  
蓝晶易碳



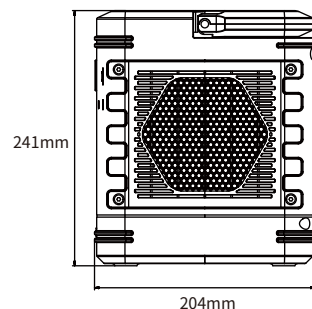
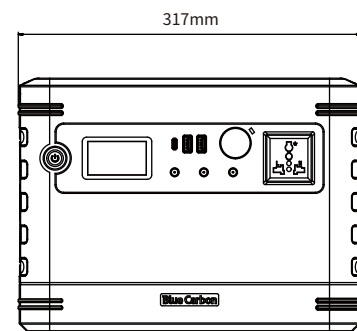
# 1kWh

## SOLAR POWER SYSTEM

SOLAR-STORAGE-APPLICATION  
INTEGRATED SYSTEM

Model	BCT-SPS 12-80
Storage Capacity	80Ah/12.8V
Standard Capacity	1024Wh
USB Output	Two output 5V/2A, 9V/2A
DC Output	Three output 12V/2A
Car Charger Output	12V/10A
Type-C Output	5V/2A, 9V/2A, /12V/2A
Charging Voltage	14.6-20V
Cut-Off	9-12V
AC Output Power	220V/1.1KW
AC Output Frequency	50Hz; Pure sine wave
Depth of Discharge	>80%
Self-Discharge (25°C)	<3%/month
Working Temperature Range	-20°C—70°C
Recommended Temperature Range	10°C—45°C
Warranty	Battery warranty 3 years
Product Size	317×241×204mm

1kWh solar power system can be charged by solar, to store the electricity, with inverter built-in, can directly supply the power to the electric appliances when power outage. It is one comprehensive storage system integrating generation, storage and usage. Unlike generators, 1kWh solar system need no maintenance, no fuel consumption, and no noise, make your home lights always on, home appliances always run. It is easy to install, simple design, and perfect fit for a variety of architectural styles, apply for family, business, industry, aquaculture, planting, field work, camping tourism, night market, etc.



Blue Carbon, use electricity without carbon emission in future.



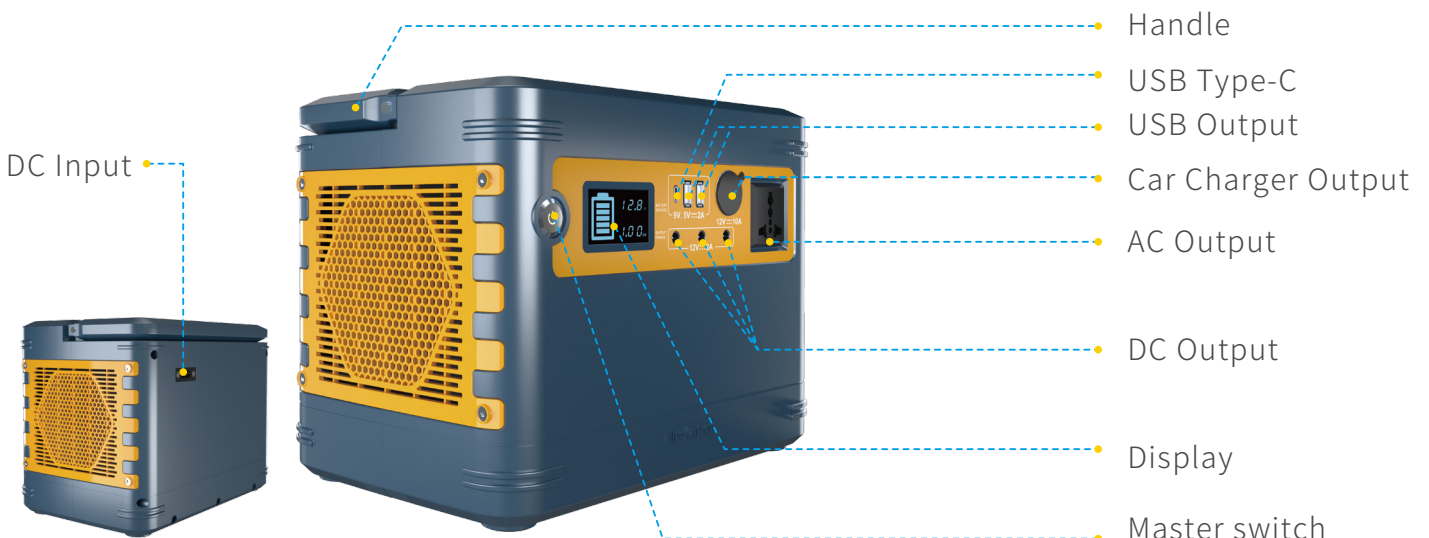
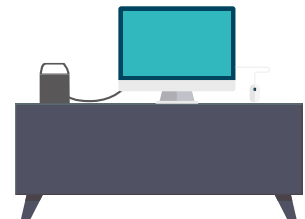
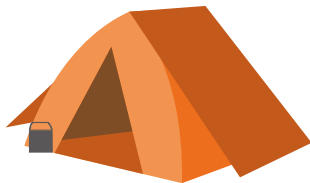
## BCT

## ADVANTAGES

- Integrated design, with generation, storage and usage integrated; modular production, easy installation.
- Dust-proof instruction, with its own inverter design, can directly supply electricity for electric appliances, to achieve a full range of energy supply.
- Lithium iron phosphate battery, the discharge depth reaches 95%. Under the discharge ratio of less than 0.5C, service life is up to 15 years, with high safety factor.
- No maintenance, no fuel consumption, no noise, flexible charging mode, saving money, reducing carbon emissions, energy saving and environmental protection;
- Compact appearance design, small size, with folding handle, portable, convenient and easy to store;
- High quality aluminium magnesium alloy, anti-corrosion, substantial, durable, artistic, practical.
- Integrated packaging, safe and convenient to transport.

## BCT

## INSTRUCTIONS





1024Wh  
Large Capacity



Type-C  
Output



USB  
Output



220V  
AC Output



Car Charger  
Output



DC  
Output

## Appliances that can be connected



Sports Watch  
3.7V/400mAh  
691 Times



Mobile Phone  
11Wh  
93 Times



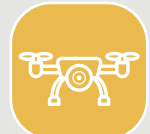
Pad  
30Wh  
34 Times



Notebook Computer  
65Wh;100W  
15 Times;10.2 H



All-in-one Computer  
150W  
6.8 H



UAVs  
60-70Wh  
14-17 Times



A Digital Camera  
16Wh  
64 Times



The Printer  
400W  
2.5 H



The Projector  
150W-180W  
5.6-6.8 H



Bluetooth Speakers  
60W  
17 H



Fan  
50-60W  
17-20 H



The Refrigerator  
150W  
6.8 H



LED Lights  
5-10W  
102-204 H



Washing Machine  
380W  
2.6 H



The Coffee Machine  
150W-180W  
5.6-6.8 H



Juicer  
150W  
6.8 H



50-inch TV Set  
50-110W  
9.3-20.4 H



Car Freezer  
60W  
17 H



Electric Blanket  
80-150W  
6.8-12.8小时



Household Atomizer  
20W  
51 H



Respirator  
40W  
25 H



Rechargeable Flashlight  
3.7V/5000mAh  
55 Times

1. The above data comes from Blue Carbon lab, and the test data will float up and down due to different factors, such as environment, usage methods and equipment specifications, etc. This test data is for reference only.
2. Electrical appliances can be operated at the same time with a maximum load of not more than 1.5 KW.
3. The limited current on the product is not suitable for inductive load, and the instantaneous start current of inductive load is 3-7 times of normal operation.

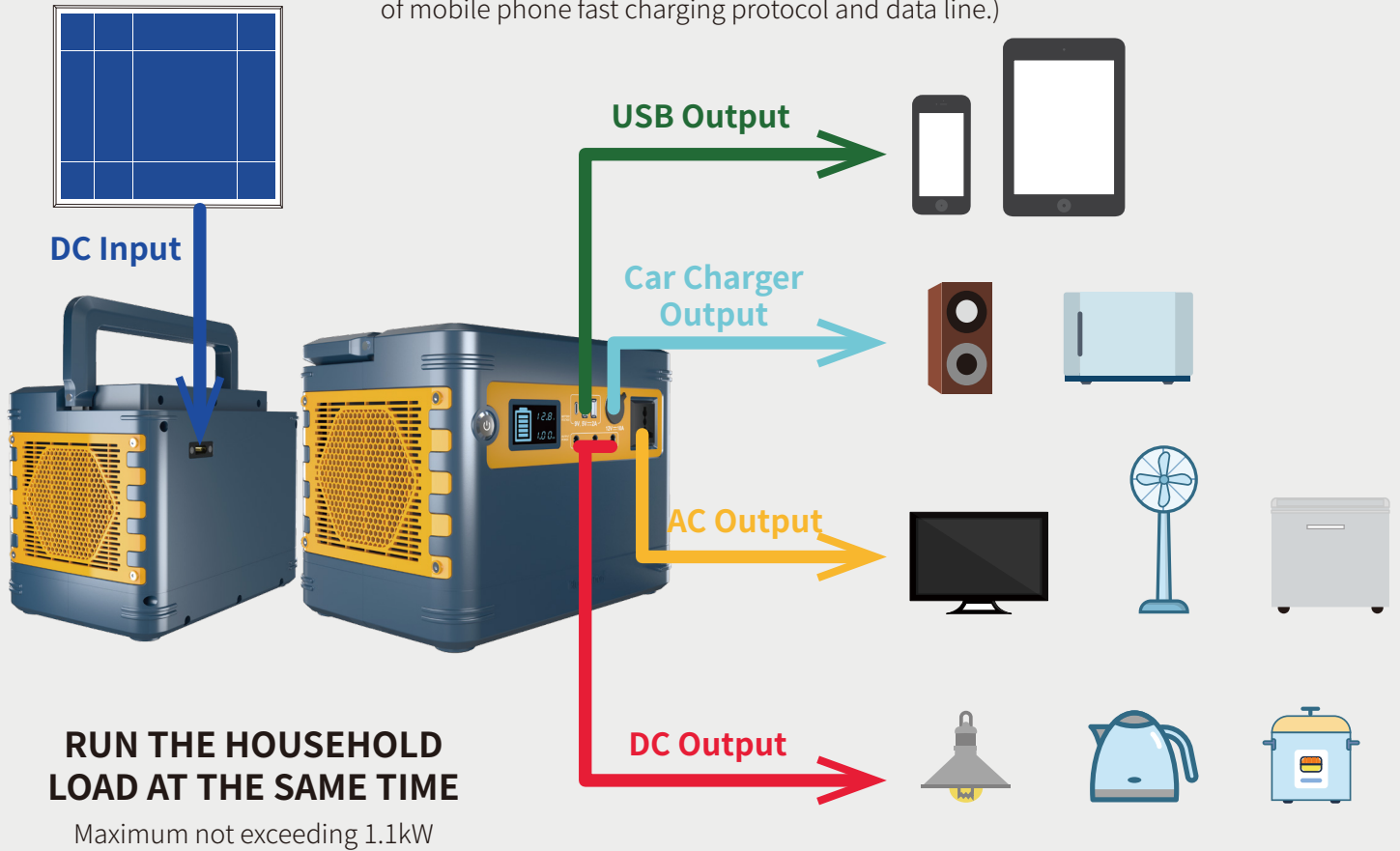




**Blue Carbon**  
蓝晶易碳

**When type-C and left USB are used at the same time, the output is 5V/2A**

(The specific output voltage and current need the support of mobile phone fast charging protocol and data line.)



## BCT

## APPLICATION PLACES



Tel : +86-0633-2190373  
E-mail : sales@bluecarbontech.com

[www.bluecarbontech.com](http://www.bluecarbontech.com)



Blue Carbon  
蓝晶易碳

BCT

APPLICATION PLACES



Tel : +86-0633-2190373  
E-mail : sales@bluecarbontech.com

[www.bluecarbontech.com](http://www.bluecarbontech.com)